

# L-3000, L-5, L-5R

- High efficiency
- Smart energy saving
- IP67 protection rating
- Exceptional ergonomic design
- Zone 0, 1, 2



*L-5 series adapts to fit a variety of hard hats and helmets*



# L-3000 portable LED torch

The L-3000 torch has been designed to combine efficient lighting with user-selected operating time settings. It features high-performance LEDs, a new built-in dual optic system, a digital monitor showing battery status and a lighting management system, making it one of the most in-demand torch models in the industry.

The distinguishing feature of this torch is the option of controlling lighting based on individual user requirements: there are three different light output presets, allowing you to choose between a 4, 6 or 8-hour operating time. Held by hand or adapted in its holster, the rotating head provides versatility at all times while you are working. Its external clip means you can hang the torch off your belt, jacket or anything else, freeing up your hands.

## Application sectors:



## CERTIFICATION DATA

<b>Classification:</b>	Group II	Category 1GD		
<b>Installation:</b>	zone 0 - 1 - 2 (Gas)	zone 20 - 21 - 22 (Dust)		
<b>Marking:</b>	CE Ex II 1GD Ex ia IIC T4 Ga - Ex ia IIIC T85°C Da IP67			
<b>Certificate:</b>	ATEX LOM 12 ATEX 2087X		Portable LED torch: L-3000	
	GOST R DISPONIBILE		All GOST R certification data can be downloaded at <a href="http://www.cortemgroup.com">www.cortemgroup.com</a>	
<b>Standards:</b>	EN 60079-0: 2009; EN 60079-11: 2012; EN 60079-26: 2007 and EUROPEAN DIRECTIVE 94/9/EC: 1994			
<b>Temperature class:</b>	135°C (T4)			
<b>Ambient Temp.:</b>	-20°C +40°C			
<b>Degree of protection:</b>	IP67			



## L-3000 portable LED torch



**Impact resistance and mechanical strength**



**Battery run time in hours and minutes**



**Revolutionary optics**



**0° / 45° / 90° rotating head**



**Rechargeable batteries**

### FEATURES

#### Torch L-3000

<b>Body:</b>	Thermoplastic resin with high impact strength and resistance to extreme temperatures and corrosive substances
<b>LEDs:</b>	2 x 135lm LEDs (total light output 200 lm)
<b>Front lens:</b>	Shatterproof clear polycarbonate with built-in dual optics
<b>Head:</b>	Rotates to 3 positions: 0° / 45° / 90°
<b>Operation:</b>	Operating time of both LEDs can be set to 4, 6 or 8 hours: <ul style="list-style-type: none"> <li>- maximum light output &gt; 4hrs</li> <li>- medium light output &gt; 6hrs</li> <li>- low light output &gt; 8hrs</li> </ul>
<b>Operation monitoring:</b>	Digital display located on rotating head indicating remaining hours and minutes of light
<b>Operation test:</b>	Warning given in the last 15 minutes when battery charge is running low
<b>Switches:</b>	Two ergonomically designed buttons made from a soft-touch material; oversized to ensure ease of use, even with gloved hands
<b>Battery:</b>	3.7V lithium ion battery; easy for user to replace
<b>Battery charger:</b>	
<b>Marking:</b>	CE, e9
<b>Protection:</b>	IP54
<b>Switch off:</b>	Automatic end of charging
<b>Charge indicators:</b>	Red LED: charging
<b>Green LED:</b>	Batteries charged
<b>Power supply:</b>	DC: 12V AC: 100/240 V, 50/60 Hz
<b>Types and dimensions:</b>	Single: 75x105x60 mm Battery charger for 3 torches: 205x105x60 mm Battery charger for 5 torches: 405x105x60 mm



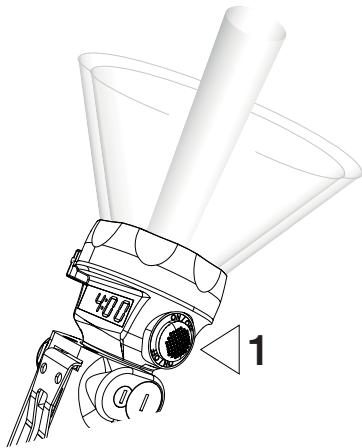
### ACCESSORIES AVAILABLE / SPECIAL REQUESTS

- Holster
- Battery charger for 1, 3 or 5 torches

# L-3000 portable LED torch

Code	Dimensions mm		Light output	Discharge time	Weight Kg
	L	Ø			
L-3000	225	70	Tot. 200 lm	Max. 8 hours	0,5

## MODES

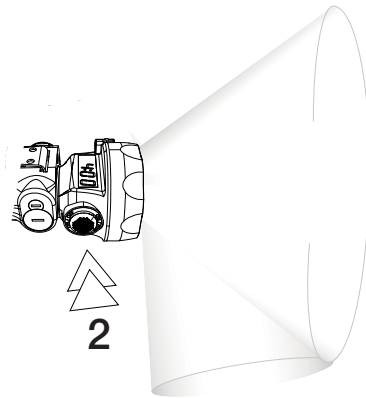


### Switch on

Press button once

Both LEDs are on, offering diffused light and a focussed beam all at once.

At the same time, the display comes on, showing the remaining operating time.



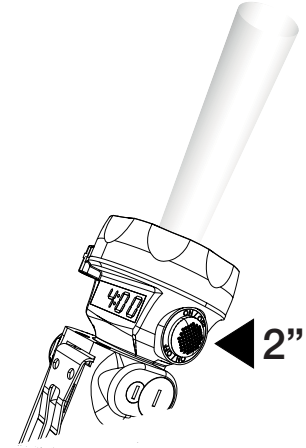
### Diffused light

Press button twice

Press button twice

Only the LED located behind the optical diffuser is kept on, giving the light beam a wider angle.

The special design of the optics means the LED manages to even light the area underneath, near the user's feet.



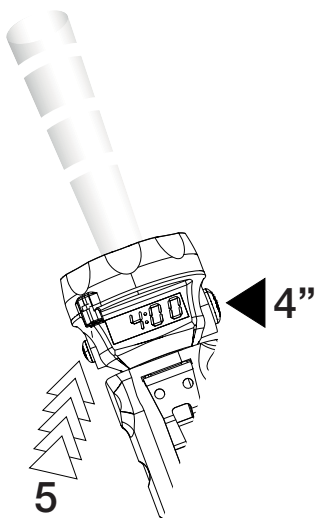
### Focused beam

Keep button pressed

Holding down the button for two seconds switches on the LED located behind the focused spot beam optics, setting the torch to booster mode.

Power is concentrated in a single LED and the light beam reaches its maximum distance and penetration.

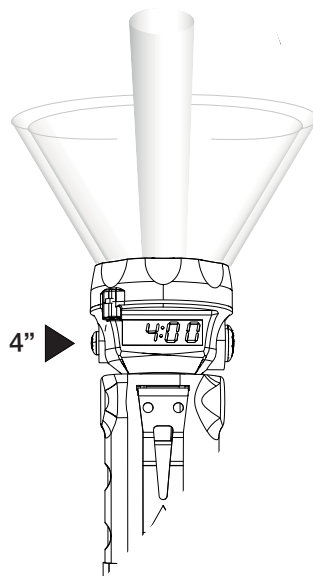
Press the On | Off button again to go back to the previous position



### Strobe light

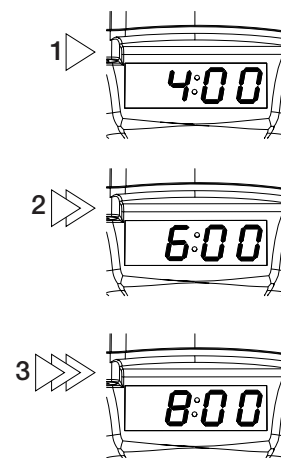
Menu button

Holding the On | Off button down for four seconds sets the torch to strobe mode. Using the Menu button, you can select up to five different flashing rates.

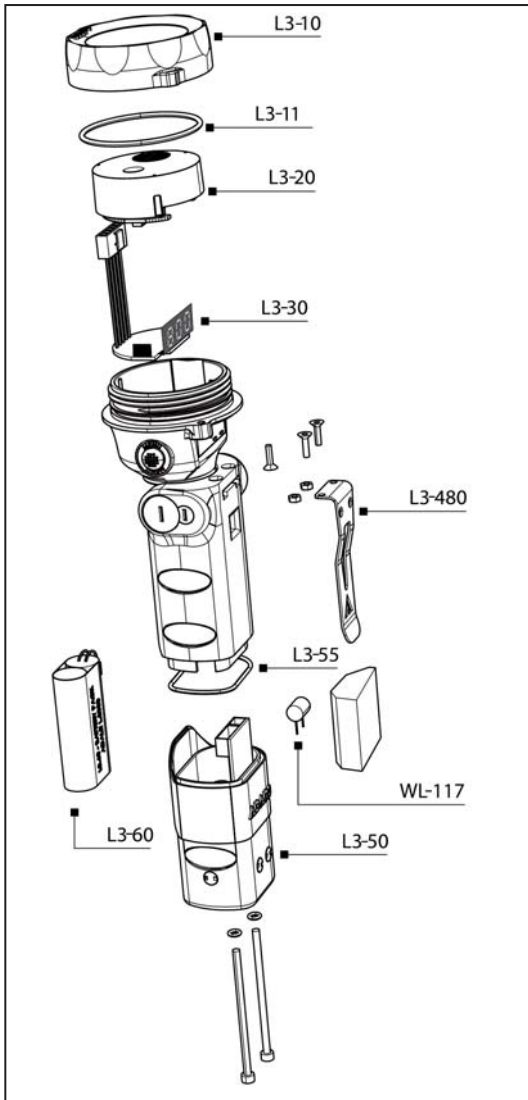


### Consumption map

Holding the Menu button down for 4 seconds activates programming mode for setting the torch's operating time and light output. Based on the 4, 6 or 8-hour setting, the electronics automatically adjust the light output level and consequently consumption levels.



# L-3000 portable LED torch



DESCRIPTION	CODE	KEY
Torch end cap with clear lens	L3-10	
End cap O-ring	L3-11	
Optics and LED card	L3-20	
PCB and display	L3-30	
Complete clip	L3-480	
Body O-ring	L3-55	
Battery pack	L3-60	
Torch body with battery charger PCB	L3-50	

**DON'T FORGET TO ORDER THE ACCESSORIES**

**Example:** Torch + Battery charger C-1000 + other...see key

ILLUSTRATION	DESCRIPTION	FEATURES	CODE	KEY
	Single battery charger	Voltage 100-240V	C-1000	
		Voltage 12V	CV-1000-12V	
		Voltage 12/24V	CV-1000-24V	
	Battery charger for three torches	Voltage 100-240V	C-3000	
		Voltage 12V	CV-3000	
		Voltage 12/24V	CV-3000-24	
	Battery charger for five torches	Voltage 100-240V	C-5000	
		Voltage 12V	CV-5000-12	
		Voltage 12/24V	CV-5000-24	
	Holster		586-06-580	

# L-5, L-5S and L-5R portable LED torch

The L-5 hard hat torch, L-5S portable torch and L-5R rechargeable portable torch have been developed with the aim of reducing consumption and increasing light quality and output. To achieve this goal, we have fitted the torches with the latest generation LEDs and an automatic system to adjust light output based on input from a sensor. Designed mainly for use on hard hats and helmets, they are accessorized with fittings of various kinds, making them a valuable aid when used in conjunction with the L-3000 portable torch.

## Application sectors:



Oil refineries



Chemical and petrochemical plants



Agriculture and food plants



Offshore plants



Pharmaceutical industries



Powder magazines



Onshore plants



Fuel depots

## CERTIFICATION DATA

Classification:

Group I

Category 1GD

Installation:

zone 0 - 1 - 2 (Gas)

zone 20 - 21 - 22 (Dust)

Marking:

CE Ex II 1GD Ex ia IIC T4 G<sub>a</sub> - Ex ia IIIC T85°C D<sub>a</sub> IP67

Certificate:

ATEX LOM 12 ATEX 2004

Portable LED torch: L-5..

Standards:

EN 60079-0: 2009; EN 60079-11: 2007 and EUROPEAN DIRECTIVE 94/9/EC: 1994

Temperature class:

135°C (T4)

Ambient Temp.:

-20°C +40°C

Protection rating:

IP67



## L-5, L-5S and L-5R portable LED torch



### FEATURES

#### Torch

<b>Body:</b>	Thermoplastic resin with high impact strength and resistance to extreme temperatures and corrosive substances
<b>LEDs:</b>	1 x 135lm LED
<b>Front lens:</b>	Shatterproof clear polycarbonate
<b>Sensor:</b>	Light sensor for automatic light output adjustment
<b>Batteries:</b>	4xAAA/RO alkaline batteries; 3.6V with L5, L-5S torch Rechargeable lithium batteries; 3.6V with L5-R torch
<b>Battery run time:</b>	Maximum output > 4 hrs Medium output > 8 hrs Low output > 30 hrs
<b>Operation test:</b>	Warning given in the last 15 minutes when battery charge is running low
<b>Switch:</b>	Ergonomically designed button; oversized to ensure ease of use, even with gloved hands

#### Battery charger:

<b>Marking:</b>	CE, e9
<b>Protection:</b>	IP54
<b>Charge duration:</b>	Max. 4-5 hrs
<b>Switch off:</b>	Automatic end of charging
<b>Charge indicators:</b>	Red LED: charging Green LED: batteries charged
<b>Power supply:</b>	DC: 12V AC: 100/240 V, 50/60 Hz
<b>Types and dimensions:</b>	Single: 75x100x120 mm Battery charger for 3 torches: 230x100x120 mm Battery charger for 5 torches: 410x100x120 mm

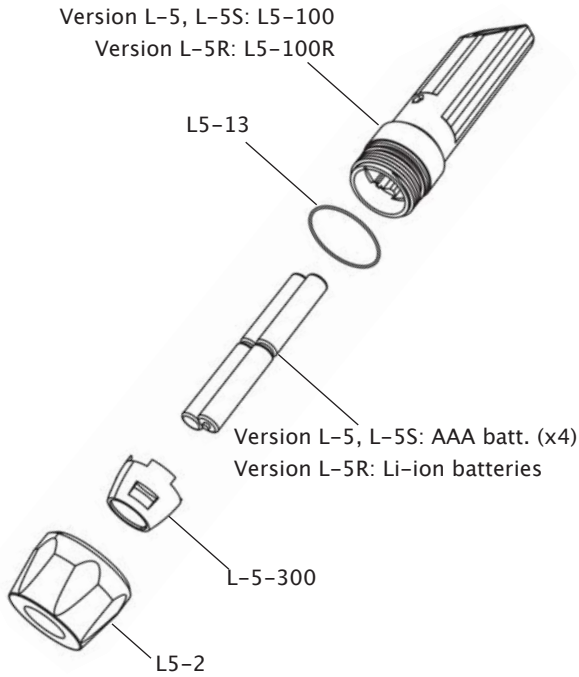


### ACCESSORIES AVAILABLE / SPECIAL REQUESTS

Battery charger for 1, 3 or 5 torches  
Holster

# L-5, L-5S and L-5R portable LED torch

Code	Dimensions mm		Light output	Description	Weight Kg
	L	Ø			
L-5	150	44	Max. 135 lm	Hard hat torch	0,125
L-5S	150	44	Max. 135 lm	Portable torch	0,125
L-5R	150	44	Max. 135 lm	Rechargeable torch	0,125



DESCRIPTION	MODEL	CODE	KEY
Torch body	L-5	L5-100	
	L-5R	L5-100R	
End cap O-ring		L5-13	
Batteries	L-5	BATT-AAA (x4)	
	L-5R	L5-BAT	
LED module		L5-300	
Torch end cap with clear lens		L5-2	

## DON'T FORGET TO ORDER THE ACCESSORIES

Example: Torch L-5R + Battery charger CL5-1 + other...see key



ILLUSTRATION	DESCRIPTION	CODE	KEY
	Single battery charger	CL5-1	
	Battery charger for three torches	CL5-3	
	Battery charger for five torches	CL5-5	
	Holster	L5-8	
	Hard hat adapters	Please seek advice on models from our sales department	